



Ganzglas

Cabrilant AG • Kalchbühlstrasse 18 • CH-7007 Chur
Tel. +41 81 258 32 42 • Fax +41 81 258 32 43
info@cabrilant.com

www.cabrilant.com

Seal profile

7

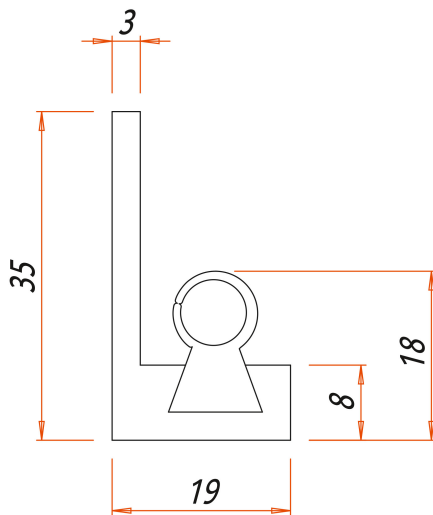
45/09.ar

Art. Nr. 705.00



705.00.100 large 19 x 35 mm

Seal profile



Standard finish: Anodised aluminium, mill finish for glass thickness 10 mm.
Special colours available on request.