



Ganzglas

Cabrillant AG • Kalchbühlstrasse 18 • CH-7007 Chur
Tel. +41 81 258 32 42 • Fax +41 81 258 32 43
info@cabrillant.com

www.cabrillant.com

Angle with pivot

2

46/10.ar

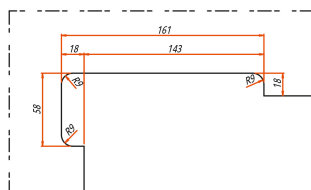
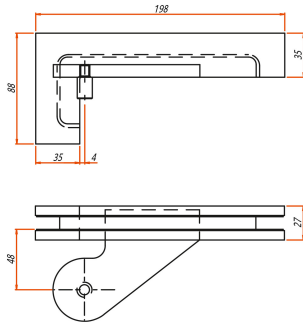
Art. Nr. 210.10/20



210.10.100 between side glass and overpanel, pivot transferee, DIN left

210.20.100 between side glass and overpanel, pivot transferee, DIN right

Angle with pivot pivot transferee, DIN left



glass outbreak

Standard finish: Anodised aluminium, mill finish for glass thickness 10 mm.
Special colours available on request.